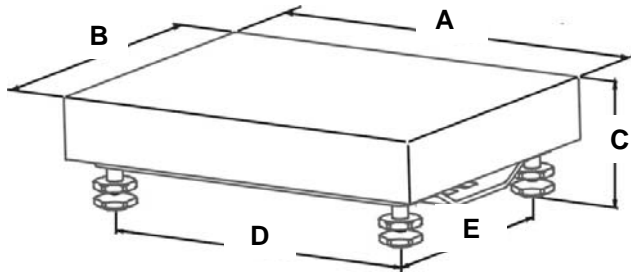


CAPS1U-10CC-LU



A	B	C	D	E
10 in.	10 in.	2.6 in.	7.8 in.	7.8 in.
254 mm	254 mm	66 mm	198 mm	198 mm

- Electropolished 316 Ti Stainless Platform available as R2 option
- Completely 316 Ti Stainless Base & Platform available as S2+R2

Material: Completely AISI 304 Stainless Steel

High-Resolution Mode		NTEP Mode		Key Specifications:	
Capacity:	15 lbs. 5 kg	Capacity:	10 lbs.	Cable Length:	10ft. / 3m
Readability:	0.0005 lbs. 0.0001 kg	Readability:	0.002 lbs	Net Weight:	12.3 lbs / 6 kg
Max Preload:	9.6 lbs. 4.3 kg			Gross Weight:	15.1 lbs / 7 kg
Overload Capacities				Protection Rate	NEMA4X
Corner:	44 lbs. 20 kg			IP	67
Side:	77 lbs. 35 kg			Op. Temp:	+14°F to 104°F
Center:	110 lbs. 50 kg			10°	C to 40°C
				Adjust Feet:	2.6 in. - 3.4 in

High-Resolution Accuracy only guaranteed with Combics Indicators.

GLP/GMP FDA HACCP

Combics Indicators



Combics 1
CISLU1
CISU1

NEMA 4
NEMA 4 X



Combics 2
CISLU2
CISU2

Combics Indicators



Combics 1 Plus
CISLU1N
CISU1N

NEMA 4
NEMA 4 X



Combics 3
CISLU3
CISU3

The Combics Indicators:

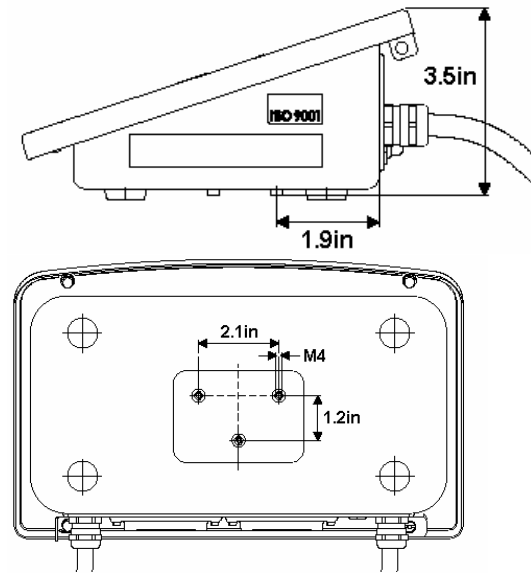
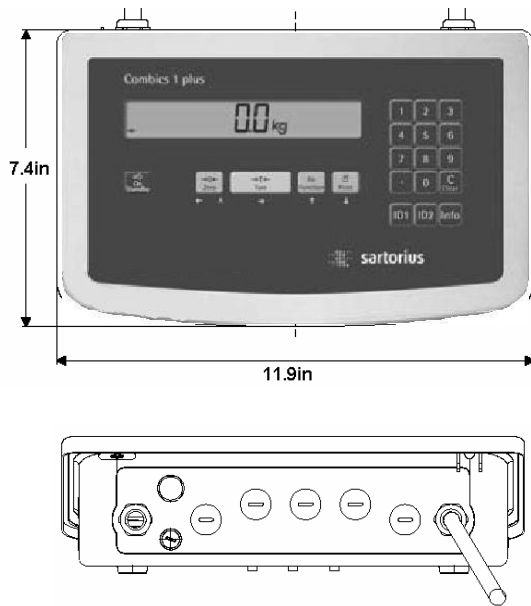
- **Stainless Steel Housing** available in IP44, IP65 and IP67 protection ratings.
- **Applications Packages** available for a wide variety of weighing scenarios.
- **Large bright Amber Backlit LCD** for easy viewing.
- **Built in RS232 communications** standard with expansion to RS485/422, 4-20mA, Profibus or an additional RS232.
- **Advanced Analog to Digital Converter** circuitry for up to 50,000 steps of resolution.

Sartorius Corporation
131 Heartland Boulevard
Edgewood New York 11717
Toll Free: (800) 635-2906
☎ (631) 254-4249
Fax (631) 254-4261
www.SARTONEWS.com Linea

Sartorius Fax on Demand: (800) 551-3774

This Document Number:	21501
Related Documents	#
Combics Catalog	21300
A/D Converter Setup Sheet	21301
Calibration Sheet	21302
rization Sheet	21303

Combics Scale Indicator CIS1N



Specifications:

Load Cell Connection: for 4 or 6 wire load cells
Supply Voltage: 9V
Bridge Impedance: 83 ohms to 2K ohms
Measuring Signal: 0.45 mV to 36 mV
Sensitivity: 4 million digits max. (internal)

Power Supply: Standard Equipment
Power Requirements: 120->240 VAC, 17W/23VA Max
 Optional: 15.5->24VDC 17W max.

Keypad: Large positive click action, with keys for ON/OFF Zero, Tare, Function, Print/Data Output and Number Keys for ID Codes and Pre-Set Tare

Housing: AISI 304 Stainless Steel
Prot. Rating: IP67 / NEMA 4X

Dimensions: 11.9"W x 7.4"D x 3.5H"
Oper. Temp.: +14 to 104 °F / -10 to +40 °C

Display: 0.8in, 7 Segment Backlit LCD

Net Weight: 5 lb

Features:

- Integrated A/D converter, for connection of Combics or any analog platform scale, internal terminal strip
- RS-232 interface, internal terminal strip, standard
- Optional 2nd interface port with choice of;
 - RS-232: YD O01C-232
 - RS-485, RS-422: YD001C-485
 - Analog Output: 0-20mA: YDA01C-20mA
 - Profibus: YD001 C-DP
- Real Time Clock for Time and Date
- Battery backed RAM for ID Codes and Headers

- Function Key for Applications:
 - Gross/Net Toggling
 - Three Weight Unit Toggling
 - Display 10X higher resolution
- Automatic Container Taring
- Storage of Two Header Lines
- Port connector for battery operation
- Battery Charge Status Display (with connection of battery pack, YRB10Z)

Sartorius Corporation
 131 Heartland Boulevard
 Edgewood New York 11717
 Toll Free: (800) 635-2906
 ☎ (631) 254-4249
 Fax (631) 254-4261

Sartorius Fax on Demand: (800) 551-3774	
This Document Number:	21211
Related Documents	#
Combics Catalog	21000
Industrial Catalog	2000
Calibration Catalog	80000
Laboratory Catalog	1000